

Features

- Input Voltage 90~264V AC or 127~370V DC
- Cooling by free air convection
- Efficiency up to 90%
- Protection: OLP, OVP, OTP SCP
- Three Years Warranty



Ideal Power's 56YEL150-xy 150W Enclosed AC/DC Power Supply (PSU) Series complies with the relevant Efficiency Regulations. These are primarily used in ITE, Audio & Video Industries and customised solutions are available upon request.

Models

Model Number	DC Voltage (V)	Rated Current (A)	Rated Power (W)	Efficiency (%)	Voltage Adj. Range (V)	Ripple & Noise (mVp-p)
56YEL150-12	12	12.5	150	87.5	10.2~13.8	150
56YEL150-15	15	10	150	89	13.5~18	150
56YEL150-24	24	6.5	156	89	21.6~28.8	200
56YEL150-36	36	4.3	154.8	89	32.4~39.6	200
56YEL150-48	48	3.3	158.4	90	43.2~52.8	200

Input Specifications

Input Voltage	90-264VAC/127-370VDC - 50/60Hz
Frequency Range	47-63Hz
AC Current	3A/115V AC – 1.7A/230V AC
Inrush Current	Cold Start 60A at 230V AC
Leakage Current	< 0.75mA/240V AC
Connection	I/P: 3 poles terminal Block

Output Specifications

Voltage Tolerance	±2.0%	5v
	±1.0%	Others
Line Regulation	±0.5%	
Load Regulation	±1.0%	5v
	±0.5%	Others
Set up	500ms, 30ms/230VAC at full load	
Rise Time	500ms, 50ms/115VAC at full load	
Hold up Time	40ms/230VAC at full load - 35ms/115VAC at full load	
Connection	O/P: 4 poles terminal Block	

Protection

Over Load	110%-140% Rated Output Power	
Over Voltage	5.75~ 6.75V	5v
	13.8 ~ 16.2V	12v
	18.75~21.75V	15v
	27.6 ~ 32.4V	24v
	28.8~33.6V	48v
	Protection type: Shut down o/p voltage, re-power on to recover.	
Over Temperature	Shut down o/p voltage, re-power on to recover	

Environmental Characteristics

Working Temp	-30~+70°C (Refer to "Derating Curve")
Working Humidity	20~90% RH non-condensing
Storage Temp, Humidity	-40~+85°C, 10~95% RH non-condensing
Temp. Coefficient	±0.03%/°C (0~50°C)
Vibration	10 ~ 500Hz, 5G 10min. /1cycle, period for 60min. each along X, Y,Z axes
MTBF	12707.7K hrs min. Telcordia SR-332 (Bellcore)

Safety & EMC

Safety Standards	
Withstand Voltage	I/P-O/P:4KVAC I/P-FG:2KVAC O/P-FG:1.25KVAC
Isolation Resistance	I/P-O/P, I/P-FG, O/P-FG:100M Ohms/ 500VDC/25 °C/70% RH
EMC Emission	Compliance to BS EN/EN55032 (C1SPR32) Class B, BS EN/EN61000
EMC Immunity	Compliance to BS EN/EN61000-4-2,3,4,5,6,8,11, BS EN/EN55035

Notes:

- 1.All parameters NOT specially mentioned are measured at 230VAC input, rated load and 25°C of ambient temperature.
- 2.Ripple&noise are measured from peak to peak with band width limit of 20MHz (0.1uf and 47uf /50V parallel capacitor under DC output full load, AC nominal input 25 °C ambient temperature).
- 3.Derating may be needed under low input voltages. Please check the derating curve for more details.
- 4.The power supply is considered a component which will be installed into a final equipment. The final equipment must be re-confirmed that it still meets EMC directives. For guidance on how to perform these EMC tests, please refer to "EMI testing of component power supplies."
- 5.The ambient temperature derating of 5°C/1000m is needed for operating altitude greater than 2000m(6500ft).

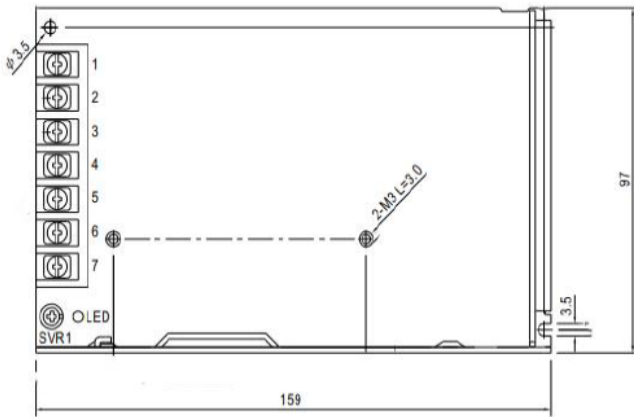
Dimensions & Weight

Size	159x97x30mm
Weight	480g

Packaging

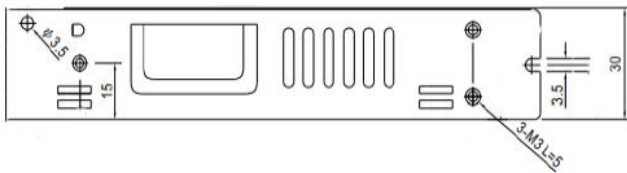
Carton Size	36x31.5x17.5cm / 14.17x12.40x6.89in
Master Carton Quantities	130pcs/Carton

Dimensions and Recommended Layout



Input

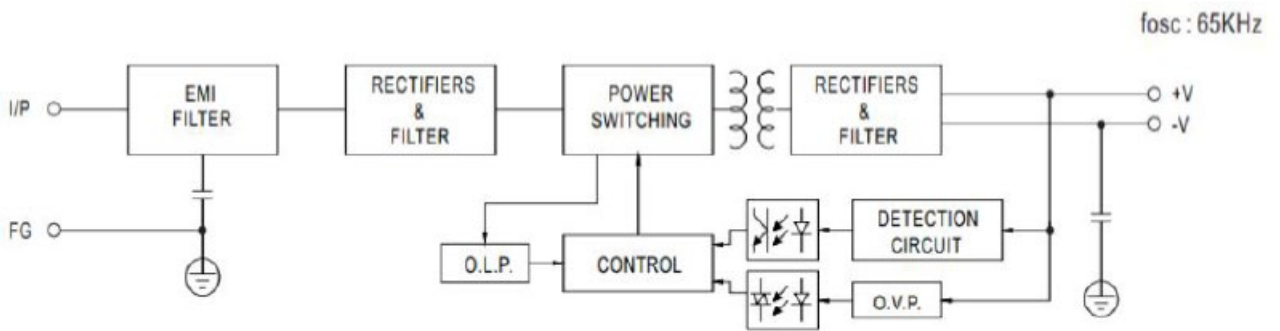
No.	Description
1	AC/L
2	AC/N
3	FG \perp



Output

No.	Description
4,5	DC OUTPUT -V
6,7	DC OUTPUT +V

Block Diagram



Derating Curve

